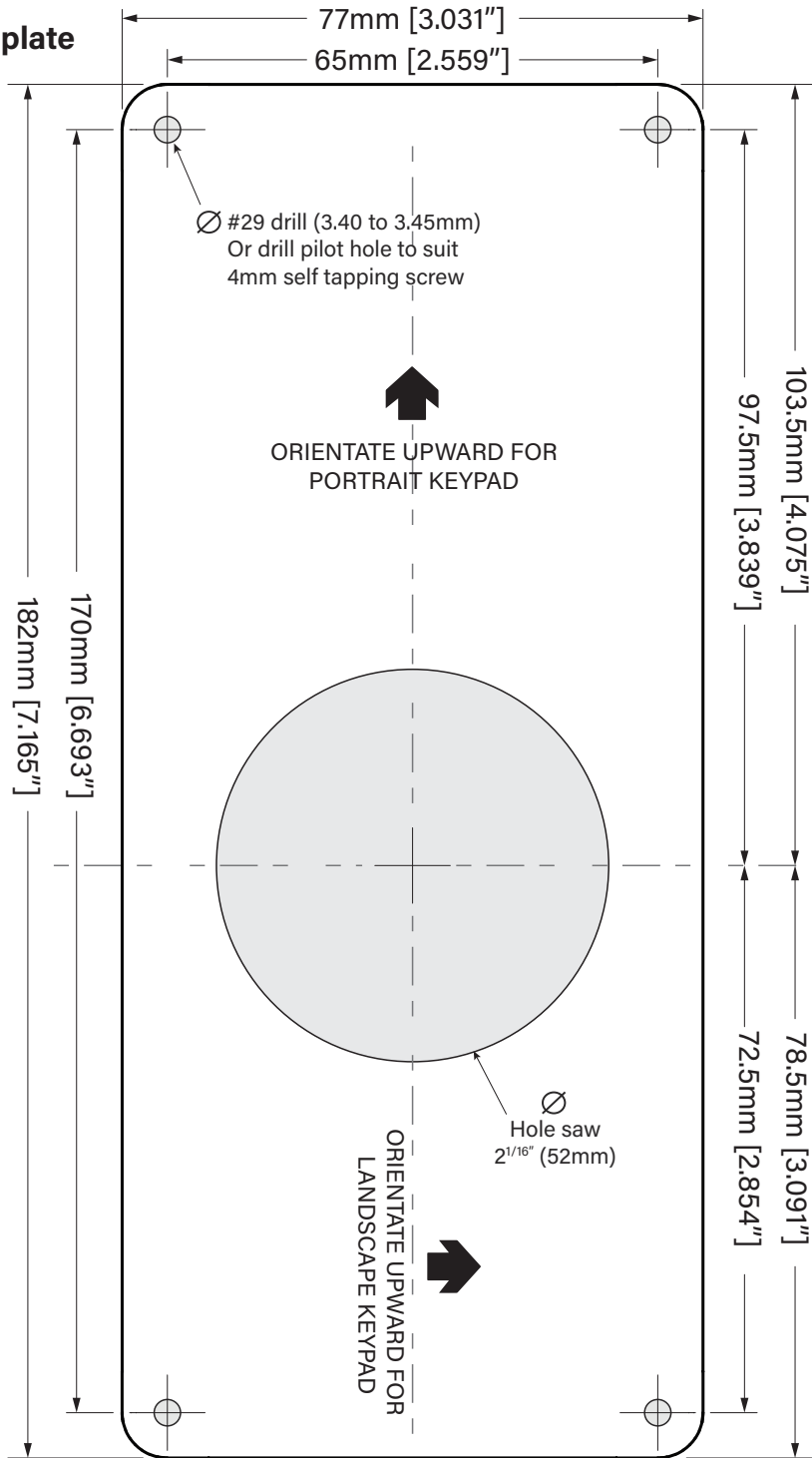


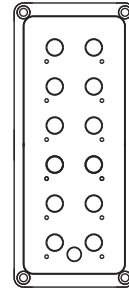
Mounting template



Please check scale before using

Parts in the box

1 x Keypad*



1 x Bezel



4 x screws

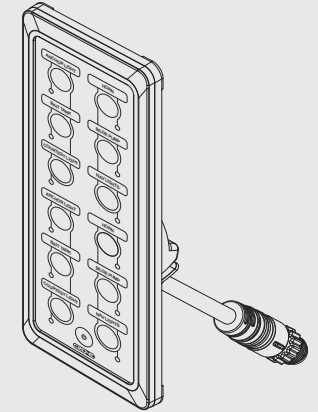


1 x Gasket



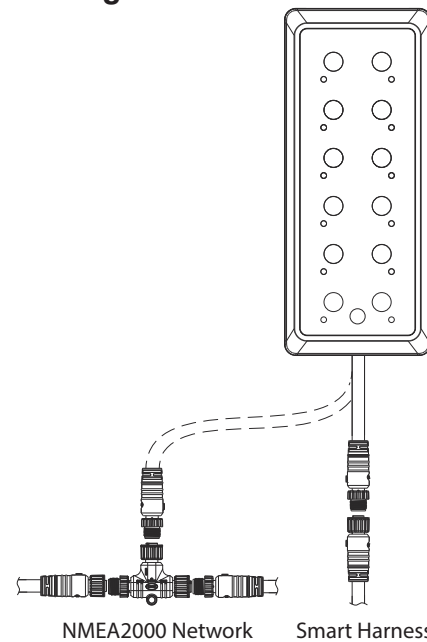
* Keypad is either portrait or landscape orientation

Installation Guide

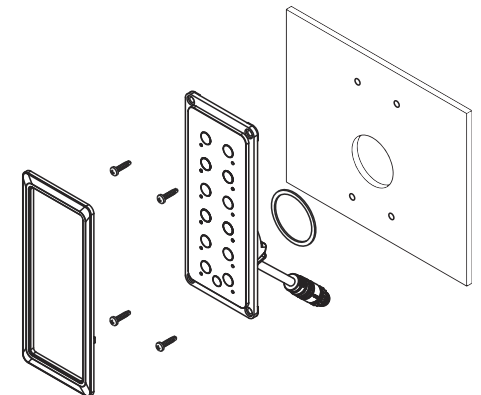


Waterproof Keypad

Wiring



Installation



1. Drill dash cutout
2. Set dipswitch
3. Install keypad with gasket
4. Screw keypad to dash
5. Install bezel
6. Connect network cable